

Chapter 1

Getting Started

Thank you for choosing the **7728 v2.X** Series Micro-ATX mainboard. The **7728 v2.X** Series mainboards are based on **Intel® H61** chipsets for optimal system efficiency. Designed to fit the advanced **Intel® LGA1155** processor, the **7728 v2.X** Series deliver a high performance and professional desktop platform solution.

Mainboard Specifications

Processor Support

- Intel® Sandy Bridge processor in the LGA1155 package

Chipset

- Intel® H61 chipset

Memory Support

- 2 DDR3 DIMMs support DDR3 1333/ 1066 DRAM (16GB Max)
- Supports Dual-Channel mode

LAN

- Supports LAN 10/100/1000 by Realtek® RTL8111E

Audio

- HD audio codec integrated by Realtek® ALC887
- Flexible 5.1-channel audio with jack sensing

SATA

- 4 SATA 3Gb/s ports by Intel® H61 PCH

USB 3.0

- 2 USB 3.0 ports by ASMedia ASM1042
- The FW version is 4.0.1.5

Connectors/ Ports

- Back panel
 - 1 PS/2 keyboard port
 - 1 PS/2 mouse port
 - 4 USB 2.0 ports
 - 1 HDMI port*
 - 1 VGA port*
 - 1 LAN port
 - 3 flexible audio ports
- *(The HDMI and VGA ports only work with Integrated Graphics Processor)
- On-Board
 - 2 USB 3.0 ports
 - 2 USB 2.0 connectors
 - 1 Front Panel Audio connector

Slots

- 1 PCIE x16 slot
- 2 PCIE x1 slots

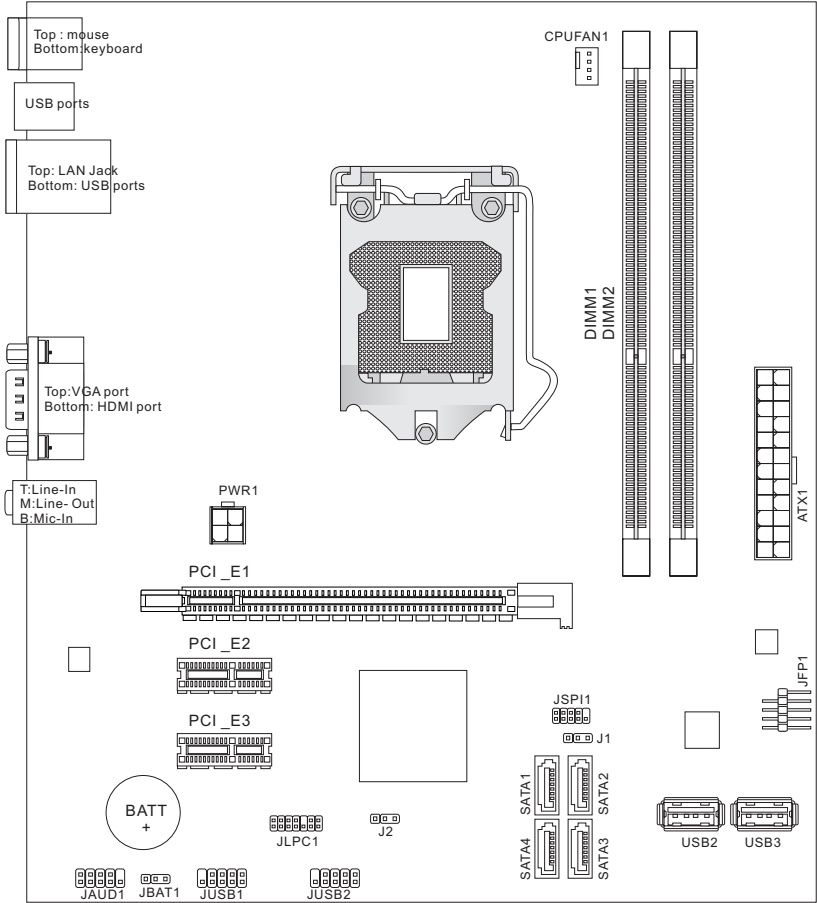
Form Factor

- Micro-ATX (24.5 cm X 21.5 cm)

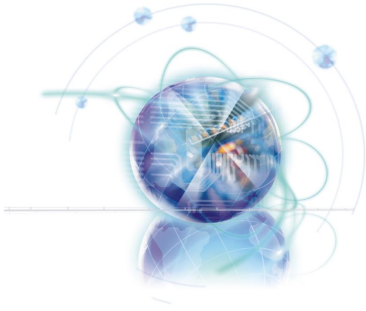
Mounting

- 6 mounting holes

Mainboard Layout



7728 v2.x Series Micro-ATX Mainboard



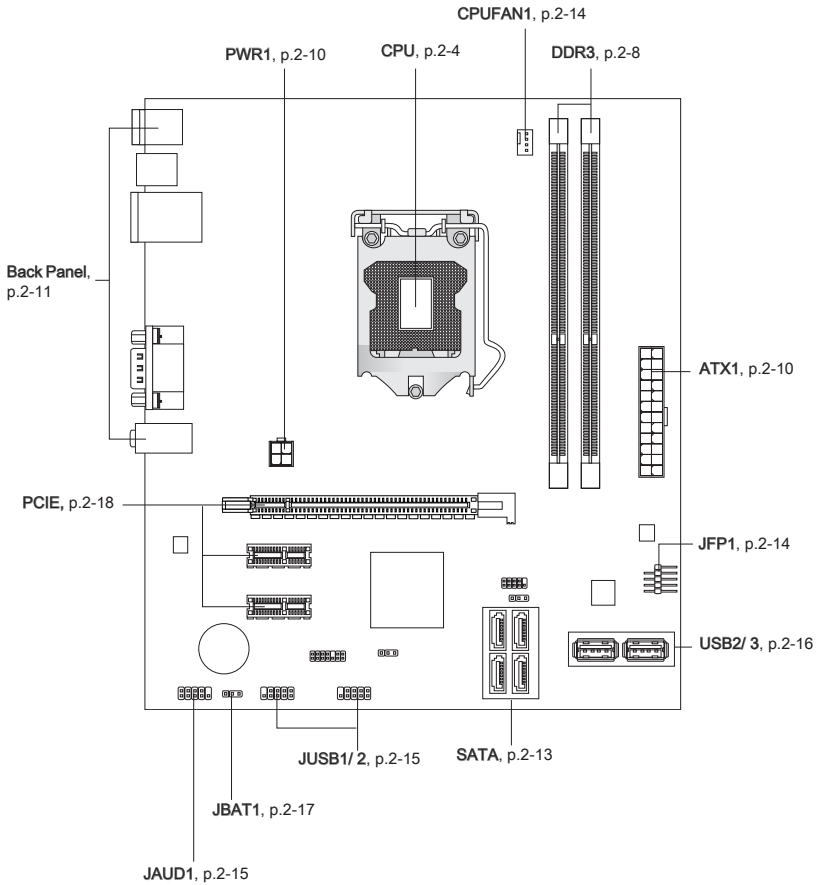
Chapter 2

Hardware Setup

This chapter provides you with the information about hardware setup procedures. While performing the installation, be careful in holding the components and following the installation procedures. For some components, if you install in the wrong orientation, the components will not work properly.

Use a grounded wrist strap before handling computer components. Static electricity may damage the components.

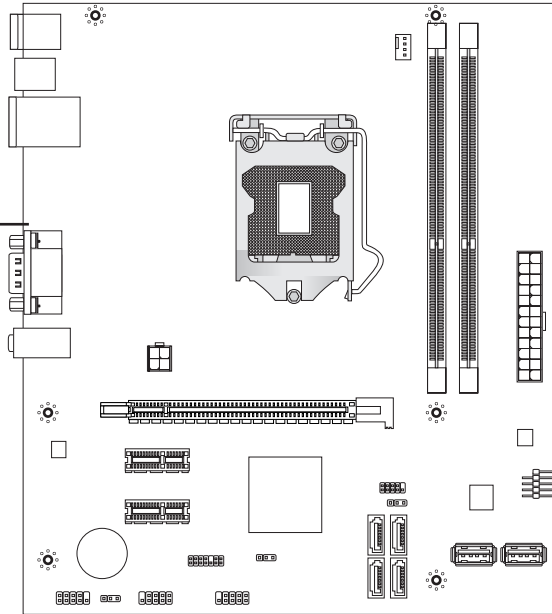
Quick Components Guide



Screw Holes

When you install the mainboard, you have to place the mainboard into the chassis in the correct direction. The locations of screws holes on the mainboard are shown as below.

The side has to toward the rear, the position for the I/O shield of the chassis.



Refer above picture to install standoffs in the appropriate locations on chassis and then screw through the mainboard screw holes into the standoffs.

Important

- To prevent damage to the mainboard, any contact between the mainboard circuit and chassis or unnecessary standoffs mounted on the chassis is prohibited.
- Please make sure there are no metal components placed on the mainboard or within the chassis that may cause short circuit of the mainboard.

CPU (Central Processing Unit)

When you are installing the CPU, make sure to install the cooler to prevent overheating. If you do not have the CPU cooler, consult your dealer before turning on the computer.

Important

Overheating

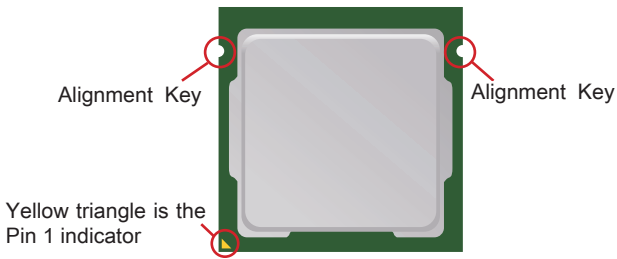
Overheating will seriously damage the CPU and system. Always make sure the cooling fan can work properly to protect the CPU from overheating. Make sure that you apply an even layer of thermal paste (or thermal tape) between the CPU and the heatsink to enhance heat dissipation.

Replacing the CPU

While replacing the CPU, always turn off the ATX power supply or unplug the power supply's power cord from the grounded outlet first to ensure the safety of CPU.

Introduction to LGA 1155 CPU

The surface of LGA 1155 CPU. Remember to apply some thermal paste on it for better heat dispersion.

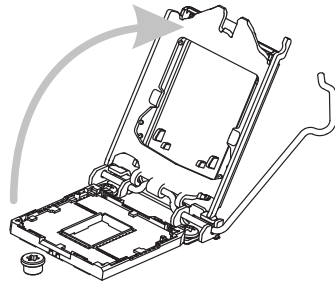
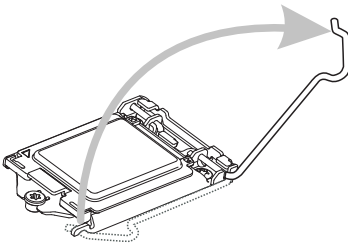


CPU & Cooler Installation

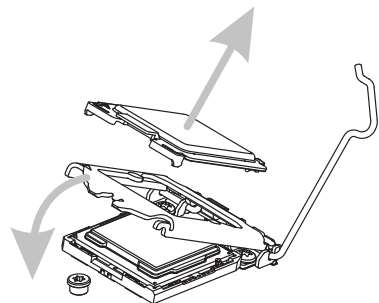
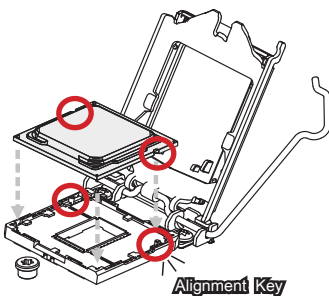
When you are installing the CPU, **make sure the CPU has a cooler attached on the top to prevent overheating**. Meanwhile, do not forget to apply some thermal paste on CPU before installing the heat sink/cooler fan for better heat dispersion.

Follow the steps below to install the CPU & cooler correctly. Wrong installation will cause the damage of your CPU & mainboard.

1. Open the load lever.
2. Lift the load lever up to fully open position.



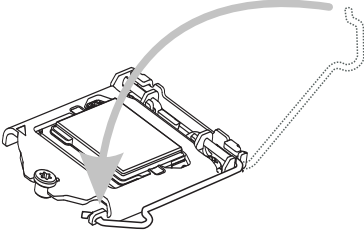
3. After confirming the CPU direction for correct mating, put down the CPU in the socket housing frame. Be sure to grasp on the edge of the CPU base. Note that the alignment keys are matched.
4. Remove the plastic cap. Engage the load lever while pressing down lightly onto the load plate.



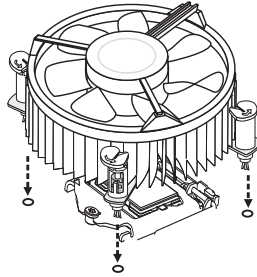
Important

Visually inspect if the CPU is seated well into the socket. If not, take out the CPU with pure vertical motion and reinstall.

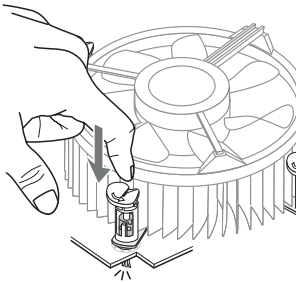
5. Secure the lever near the hook end under the retention tab.



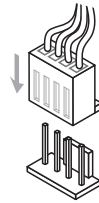
6. Make sure the four hooks are in proper position before you install the cooler. Align the holes on the mainboard with the cooler. Push down the cooler until its four clips get wedged into the holes of the mainboard.



7. Press the four hooks down to fasten the cooler. Turn over the mainboard to confirm that the clip-ends are correctly inserted.



8. Finally, attach the CPU Fan cable to the CPU fan connector on the mainboard.

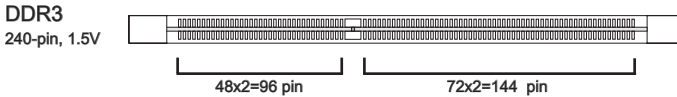


Important

- Confirm if your CPU cooler is firmly installed before turning on your system.
- Do not touch the CPU socket pins to avoid damaging.
- Whenever CPU is not installed, always protect your CPU socket pin with the plastic cap covered to avoid damaging.
- Please refer to the documentation in the CPU cooler package for more details about the CPU cooler installation.
- Read the CPU status in BIOS.

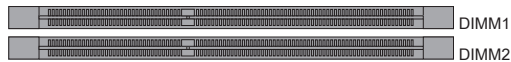
Memory

These DIMM slots are used for installing memory modules. For more information on compatible components, please visit <http://www.msi.com/index.php?func=testreport>



Dual-Channel mode Population Rule

In Dual-Channel mode, the memory modules can transmit and receive data with two data bus lines simultaneously. Enabling Dual-Channel mode can enhance the system performance. The following illustrations explain the population rules for Dual-Channel mode.

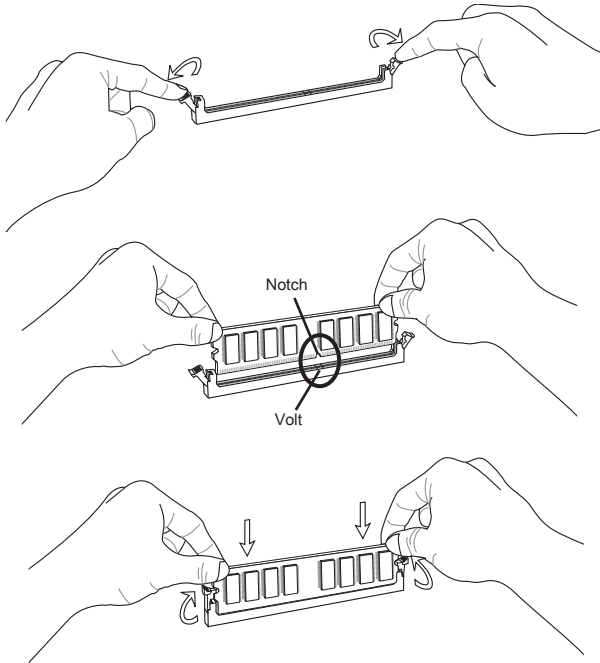


Important

- *DDR3 memory modules are not interchangeable with DDR2, and the DDR3 standard is not backwards compatible. You should always install DDR3 memory modules in the DDR3 DIMM slots.*
- *In Dual-Channel mode, make sure that you install memory modules of the **same type and density** in different channel DIMM slots.*
- *Due to the chipset resource deployment, the system density will only be detected up to 15+GB (not full 16GB) when each DIMM is installed with a 8GB memory module.*

Installing Memory Modules

1. The memory module has only one notch on the center and will only fit in the right orientation.
2. Insert the memory module vertically into the DIMM slot. Then push it in until the golden finger on the memory module is deeply inserted in the DIMM slot. The plastic clip at each side of the DIMM slot will automatically close when the memory module is properly seated.
3. Manually check if the memory module has been locked in place by the DIMM slot clips at the sides.



Important

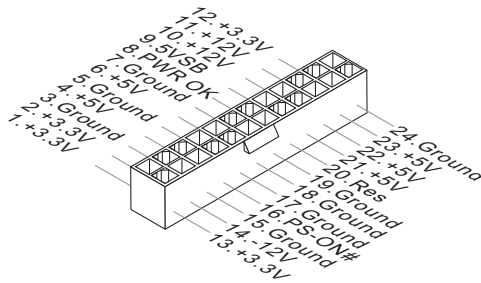
You can barely see the golden finger if the memory module is properly inserted in the DIMM slot.

Power Supply

ATX 24-pin Power Connector: ATX1

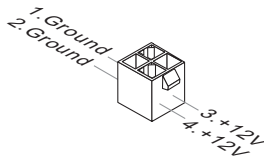
This connector allows you to connect an ATX 24-pin power supply. To connect the ATX 24-pin power supply, make sure the plug of the power supply is inserted in the proper orientation and the pins are aligned. Then push down the power supply firmly into the connector.

You may use the 20-pin ATX power supply as you like. If you'd like to use the 20-pin ATX power supply, please plug your power supply along with pin 1 & pin 13.



ATX 4-pin Power Connector: PWR1

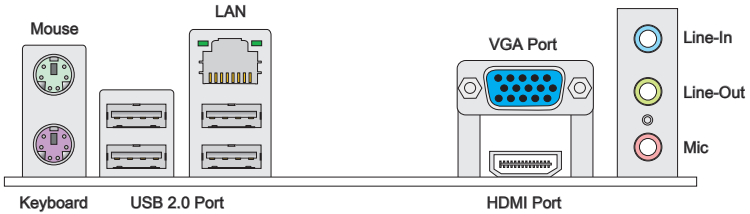
This connector is used to provide the power output to the CPU.



Important

Make sure that all the connectors are connected to proper ATX power supplies to ensure stable operation of the mainboard.

Back Panel



▶ Mouse/Keyboard

The standard PS/2® mouse/keyboard DIN connector is for a PS/2® mouse/keyboard.

▶ USB 2.0 Port

The USB (Universal Serial Bus) port is for attaching USB devices such as keyboard, mouse, or other USB-compatible devices.

▶ HDMI Port

The High-Definition Multimedia Interface (HDMI) is an all-digital audio/video interface capable of transmitting uncompressed streams. HDMI supports all TV format, including standard, enhanced, or high-definition video, plus multi-channel digital audio on a single cable.

▶ VGA Port

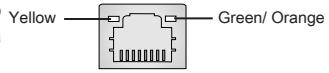
The DB15-pin female connector is provided for monitor.

Important

The HDMI and VGA display interfaces on the mainboard are designed to serve as IGP (Integrated Graphics Processor) used. If you installed a processor without integrated graphics chip, these display ports will have no effect.

► LAN

The standard RJ-45 LAN jack is for connection to the Local Area Network (LAN). You can connect a network cable to it.



LED	Color	LED State	Condition
Left	Yellow	Off	LAN link is not established.
		On(Steady state)	LAN link is established.
		On(brighter & pulsing)	The computer is communicating with another computer on the LAN.
Right	Green	Off	10 Mbit/sec data rate is selected.
		On	100 Mbit/sec data rate is selected.
	Orange	On	1000 Mbit/sec data rate is selected.

► Audio Ports

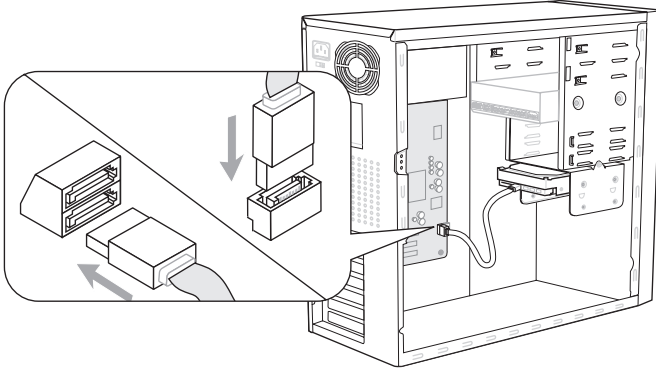
These audio connectors are used for audio devices. It is easy to differentiate between audio effects according to the color of audio jacks.

- Line-In: Blue - Line In, is used for external CD player, tape-player or other audio devices.
- Line-Out: Green - Line Out, is a connector for speakers or headphones.
- Mic: Pink - Mic, is a connector for microphones.

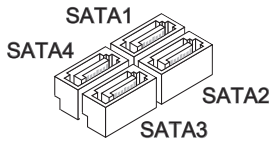
Connectors

Serial ATA Connector: SATA1~4

This connector is a high-speed Serial ATA interface port. Each connector can connect to one Serial ATA device.



* The MB layout in this figure is for reference only.

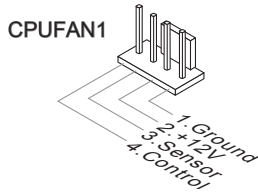


Important

Please do not fold the Serial ATA cable into a 90-degree angle. Otherwise, data loss may occur during transmission.

Fan Power Connectors: CPUFAN1

The fan power connectors support system cooling fan with +12V. When connecting the wire to the connectors, always note that the red wire is the positive and should be connected to the +12V; the black wire is Ground and should be connected to GND. If the mainboard has a System Hardware Monitor chipset on-board, you must use a specially designed fan with speed sensor to take advantage of the CPU fan control.

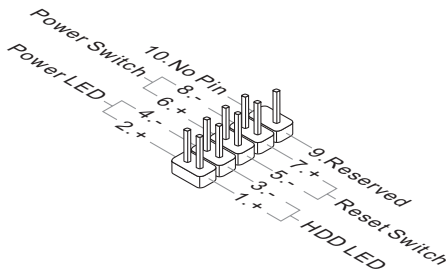


Important

- Please refer to the recommended CPU fans at processor's official website or consult the vendors for proper CPU cooling fan.

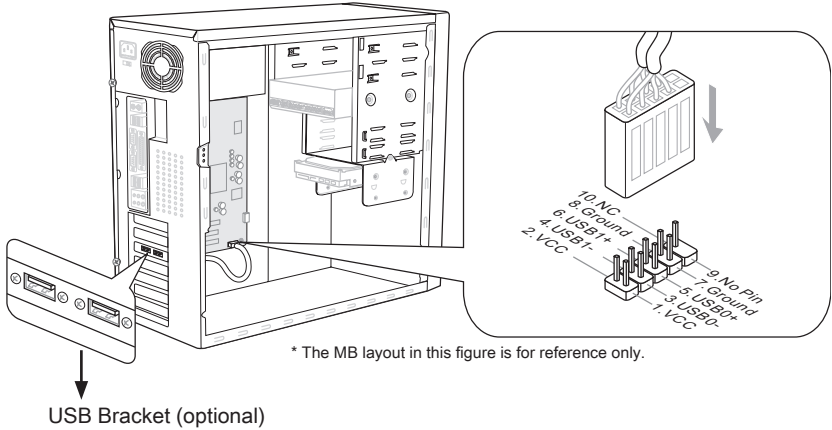
Front Panel Connectors: JFP1

These connectors are for electrical connection to the front panel switches and LEDs. The JFP1 is compliant with Intel® Front Panel I/O Connectivity Design Guide.



Front USB Connector: JUSB1~2

This connector, compliant with Intel® I/O Connectivity Design Guide, is ideal for connecting high-speed USB interface peripherals such as USB HDD, digital cameras, MP3 players, printers, modems and the like.

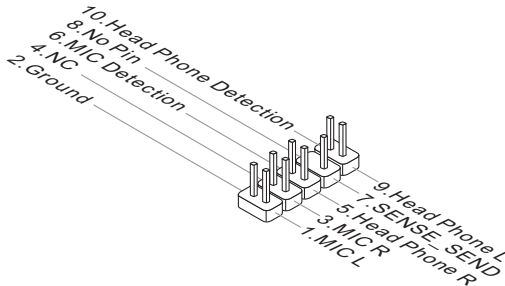


Important

Note that the pins of VCC and GND must be connected correctly to avoid possible damage.

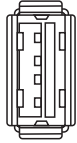
Front Panel Audio Connector: JAUD1

This connector allows you to connect the front panel audio and is compliant with Intel® Front Panel I/O Connectivity Design Guide.



Front USB Connector: USB2~3

USB 3.0 port is backward-compatible with USB 2.0 devices. Supports data transfer rate up to 5 Gbit/s (SuperSpeed).



USB 3.0 connector

Important

- *If you want to use a USB 3.0 device, you must use the USB 3.0 cable to connect to the USB 3.0 port.*

Jumper

Clear CMOS Jumper: JBAT1

There is a CMOS RAM onboard that has a power supply from an external battery to keep the data of system configuration. With the CMOS RAM, the system can automatically boot OS every time it is turned on. If you want to clear the system configuration, set the jumper to clear data.



JBAT1



Keep Data



Clear Data

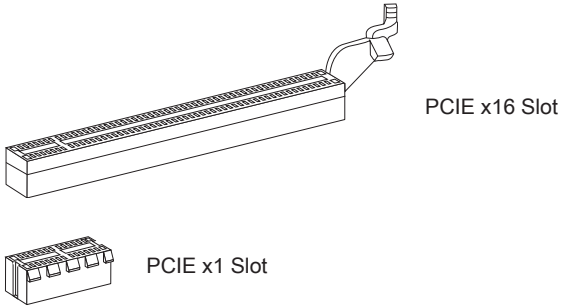
Important

You can clear CMOS by shorting 2-3 pin while the system is off. Then return to 1-2 pin position. Avoid clearing the CMOS while the system is on; it will damage the mainboard.

Slots

PCIe (Peripheral Component Interconnect Express) Slot

The PCIe slot supports the PCIe interface expansion card.



Important

When adding or removing expansion cards, make sure that you unplug the power supply first. Read the documentation for the expansion card to configure any necessary hardware or software settings, such as jumpers, switches or BIOS configuration.